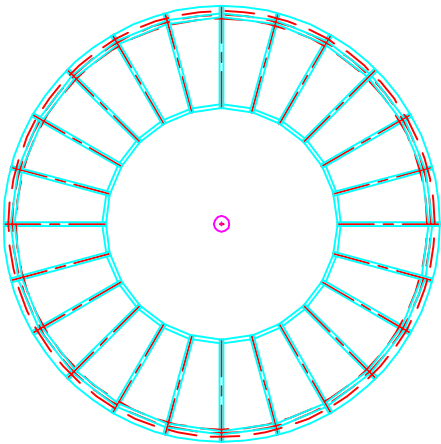
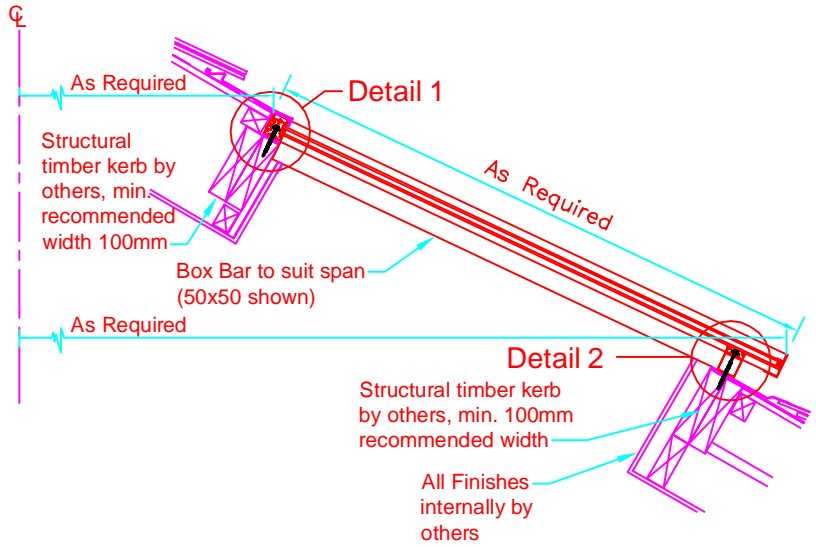


General Notes:
 1. Do not scale this drawing.

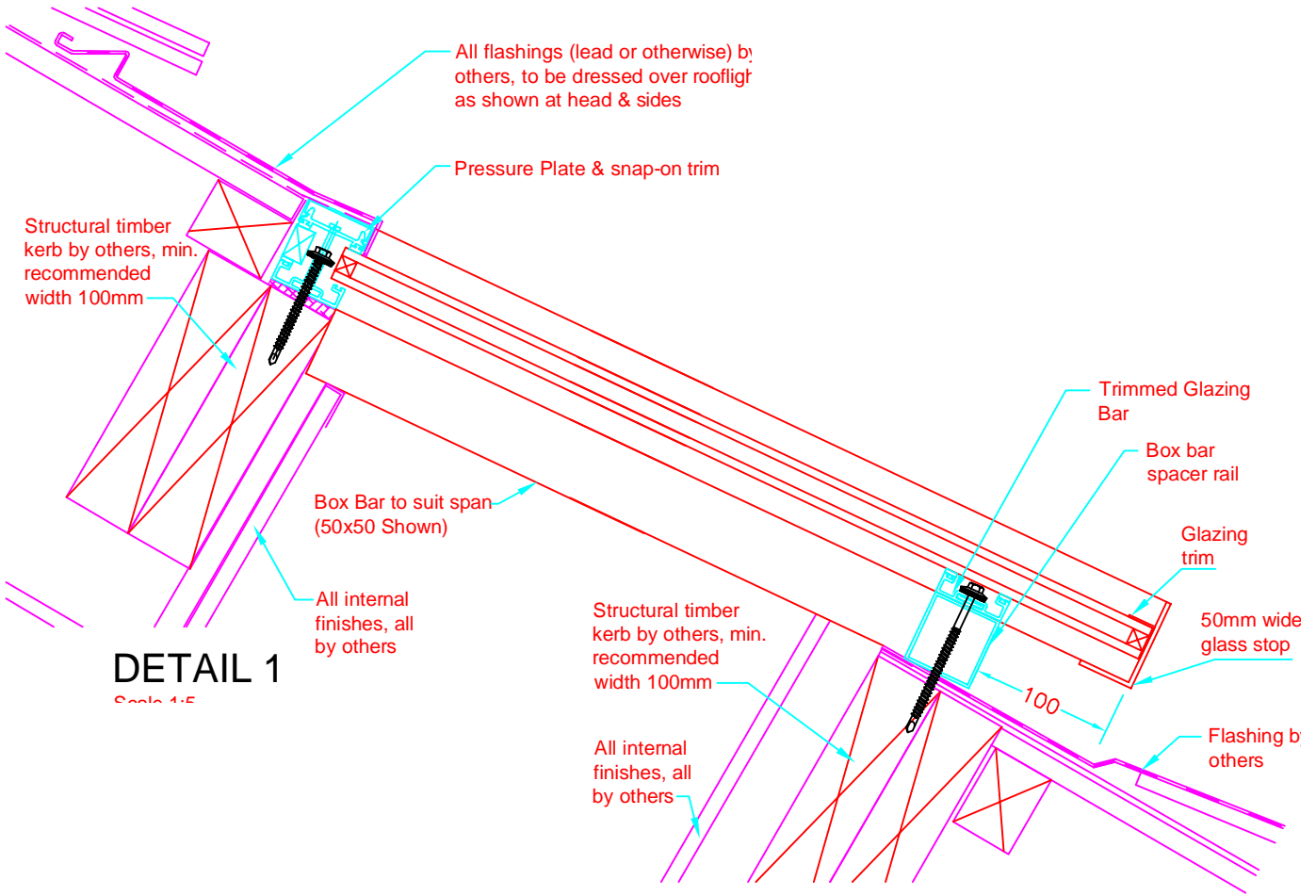


PLAN ON ROOFLIGHT



SECTION THRU ROOFLIGHT

Scale 1:20



DETAIL 1

Scale 1:5

DETAIL 2

Scale 1:5

Rev. A - Drawing updated 25.07.2014



LAREINE ENGINEERING LTD.

UNIT 1, ARMADALE INDUSTRIAL ESTATE.
 ARMADALE EH48-2JY WEST LOTHIAN.
 Tel 01501 731 600 Fax 01501 733 828

Title/Name

Circular Faceted Monopitch Rooflight

Drawn

AWA

Date

-

Scale

As Shown

Drawing number

STD - 006

Rev

A