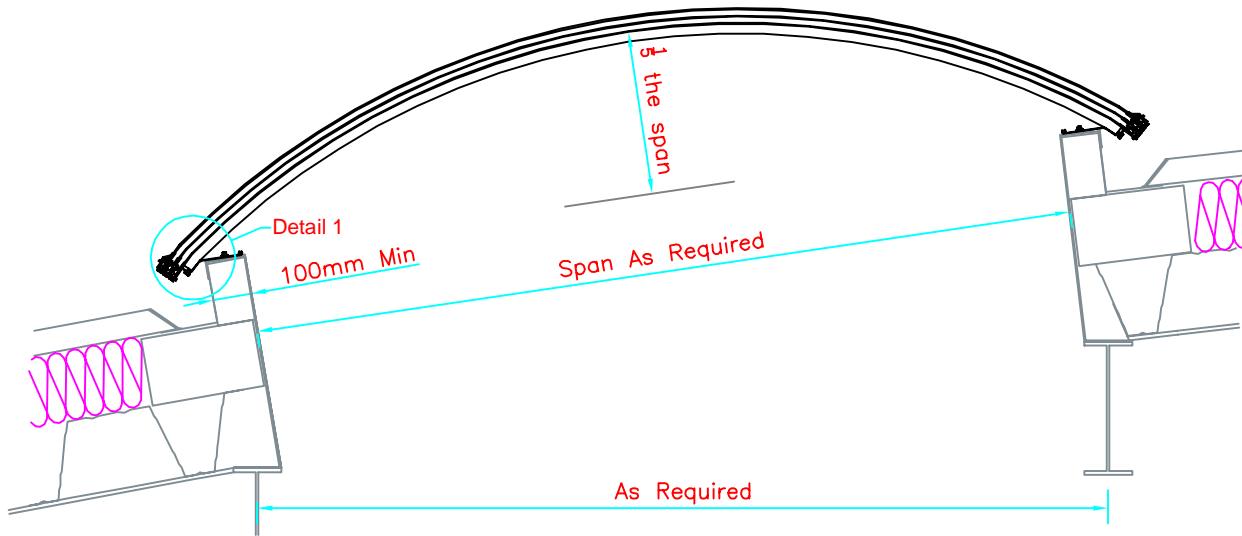
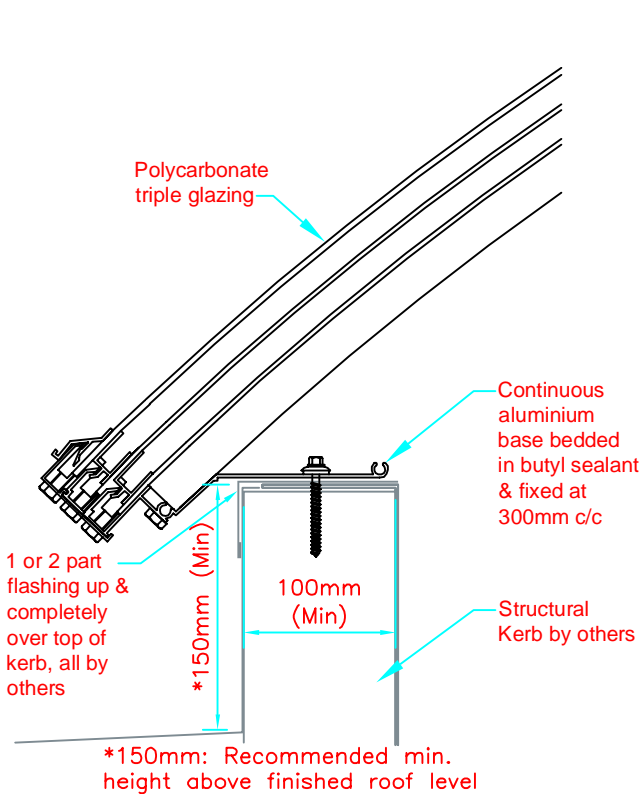


General Notes:  
1. Do not scale this drawing



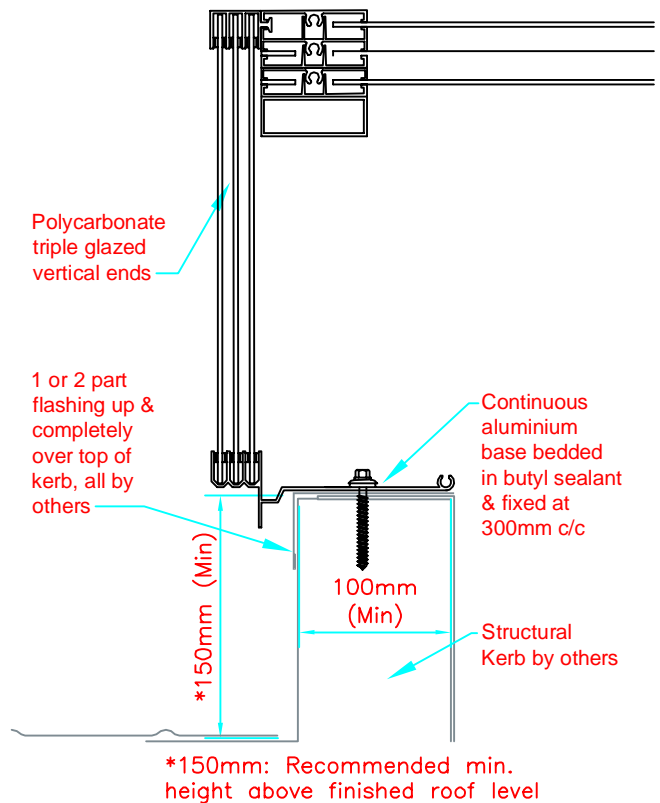
### Typical Barrel Vault Rooflight

Scale 1:20



### Detail 1

Scale 1:5



### End Detail

Scale 1:5

Rev. A - Drg. updated 25.07.2014



**LAREINE ENGINEERING LTD.**

UNIT 1, ARMADALE INDUSTRIAL ESTATE.  
ARMADALE EH48-2JY WEST LOTHIAN.  
Tel 01501 731 600 Fax 01501 733 828

Title/Name

Barrel Vault Rooflight

Drawn

AWA

Date

-

Scale

As Shown

Drawing number

STD - 005

Rev

A