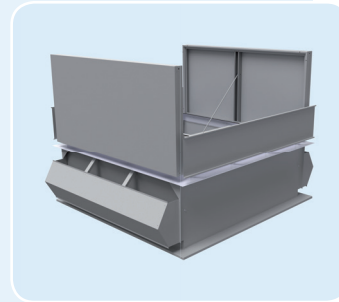
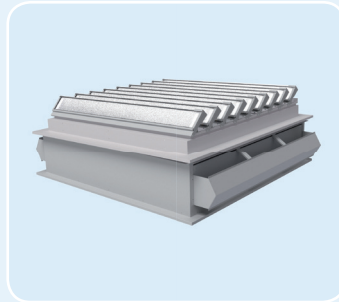
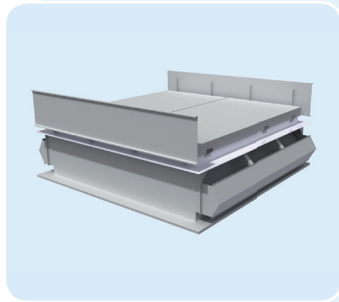




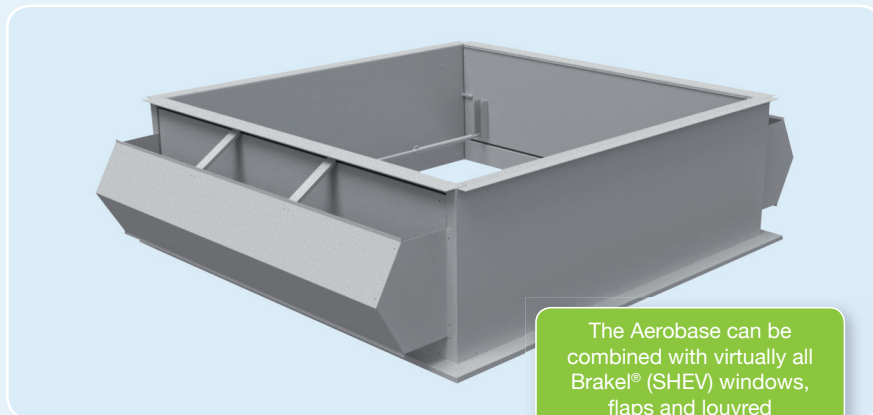
## Brakel® Aerobase



### Weather-independent ventilating upstand

Brakel® Aerobase is a weather-independent ventilating upstand providing ventilation via the side flaps in the case of precipitation or for night cooling. The Aerobase can be combined with virtually all Brakel® (SHEV) windows, flaps and louvred ventilators. The top flaps of the ventilator or the (SHEV) window are closed by a rain sensor and the upstand's side flaps are opened. No more rainfall? Then the ventilation system will switch back to the top flaps or (SHEV) window.

The Aerobase upstand is especially suitable for distribution centres, warehouses, manufacturing environments and industries where weather-independent ventilation control or night cooling is possible. The Aerobase can be applied to flat roofs and skylights up to an inclination of 45°, depending on the application of the top ventilator.



The Aerobase can be combined with virtually all Brakel® (SHEV) windows, flaps and louvred ventilators.

### Ventilation as required

Depending on the internal heat load, the required weather-independent ventilation capacity can be defined as required. This is because the Aerobase upstand can be supplied in four different heights.

The Aerobase is available on an uninsulated and insulated base with pneumatic or electrical controls.

## Material

Base and flanges: seawater and corrosion-resistant EN AW 5754 (AlMg3) aluminium sheeting.

Choice of uninsulated / insulated (50 mm) base.

Hinges: aluminium.

Side flaps: centre-pivoted uninsulated or insulated aluminium flaps with maintenance-free brush seal.

Finish: standard mill finish, anodised or coated in a standard RAL colour.

## Versions

The upstand can be supplied in an uninsulated and an insulated version with four different heights adapted to the ventilation needs. Choice of height for the side flaps: 245 mm / 345 mm / 550 mm / 625 mm.

## Operation

Natural ventilation:

P single action compressed air control

M 24V or 230V motor control

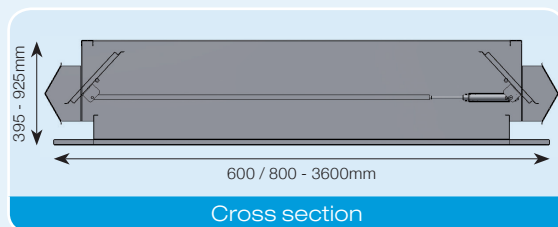
## Dimensioning

Any size required is made to measure depending on the dimensions of the upstand or top ventilator.

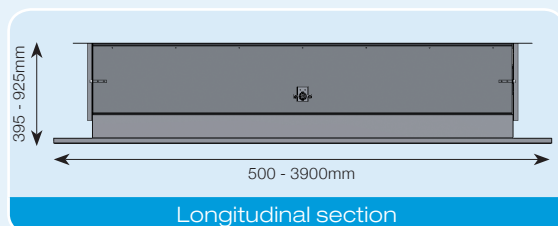
Width: 600 - 3600 mm (h side flap = 245 / 345)

Width: 800 - 3600 mm (h side flap = 550 / 625)

Length: 500 - 3900 mm



Cross section

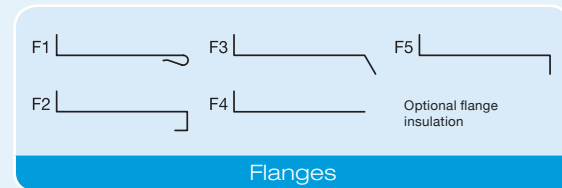


Longitudinal section

## Combi ventilators

The Brakel® Aerobase upstand can be combined with various Brakel® products, such as Eura (Excellent), Optima, Mono / Duo Therma, Fumetica, Ventria, Luma and Lumera.

## Flange type



## Assembly

The Aerobase upstand is supplied pre-assembled (the covers for the side flaps are supplied separately) and is suitable for direct assembly onto the architectural upstand. The ventilator can then be mounted onto the Aerobase upstand.

## Accessories

- Bird or insect mesh \*)
  - Fall prevention \*)
  - Insulated flanges
  - RAL colour / anodise
- \*) depending on the choice of ventilator.

## Performance

- Side flaps' free opening 0.22 - 3.93 m<sup>2</sup>, depending on the height and length of the side flaps.
- Continuous ventilation for night cooling.
- In no way does the Aerobase hinder the passage of smoke and heat exhaust to the ventilator; in the event of fire the side flaps must be automatically closed.

## Recyclable

The aluminium used for the manufacture of the Brakel® Aerobase consists of recycled aluminium. When recycling aluminium, 60 to 80% less CO<sub>2</sub> is emitted than with the extraction of primary aluminium.