

Plan on Rooflight
Scale 1:20

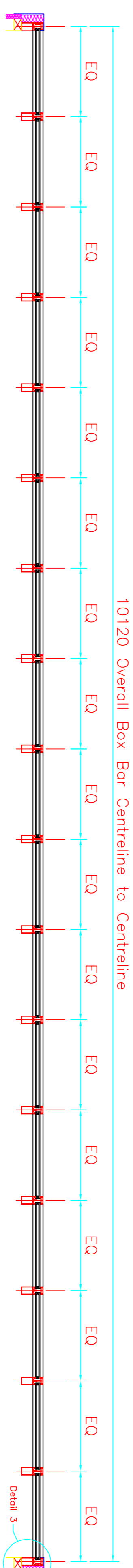
Note: Dimensions shown are for information only

- General Notes:**
1. Do not scale this drawing.
 2. All Lareine Engineering Ltd drawings are to be read in conjunction with the relevant Lareine Engineering Ltd Specification and all relevant Architects and Service Engineer's drawings and Specifications.
 3. All levels are in metres above Ordnance datum. All dimensions are in mm's unless noted otherwise.
 4. Do not scale any Lareine Engineering Ltd drawings. If in doubt - ask. Work to figured dimensions only. Any discrepancies in dimensions are to be referred to the Designer before work is put to hand.
 5. All Rooflights view from the outside looking in.

Specification:

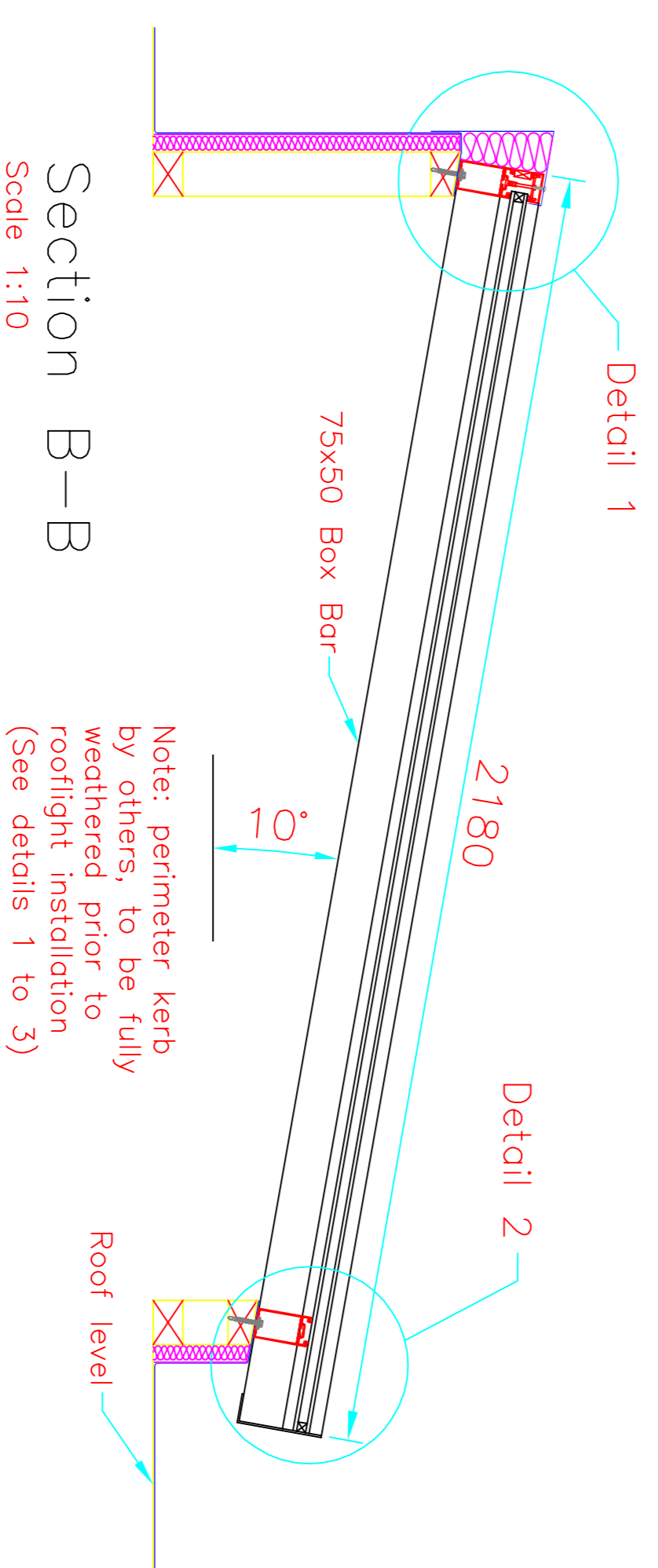
Glazing Details (Typical)
Sealed double glazed units comprising:
6.0mm Clear toughened outer.
16mm Air gap argon filled.
6.4mm Clear Low 'E' Laminated inner.

Frame
Polyester powder coated.
Standard RAL colour - TBA.



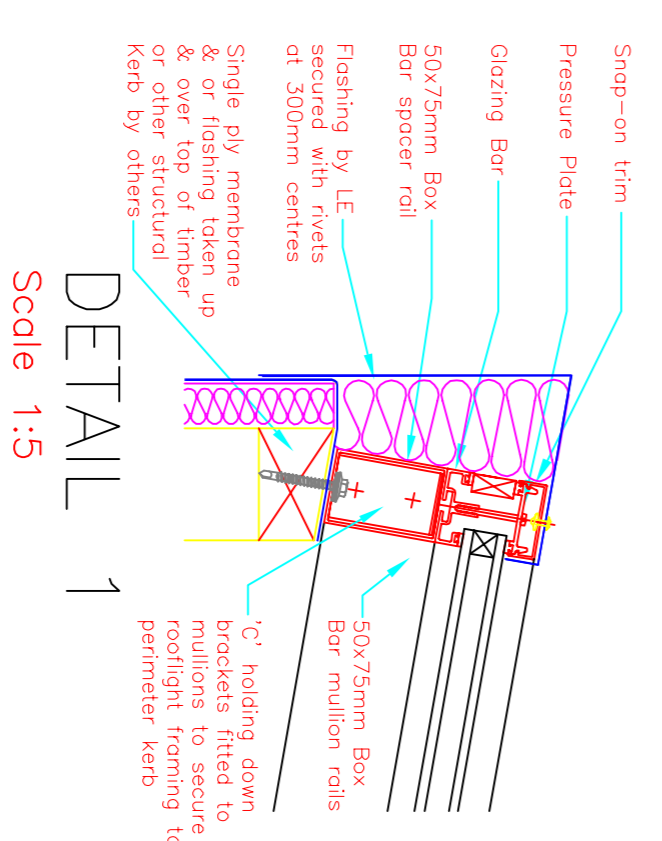
Section A-A
Scale 1:20

Note: Dimensions shown are for information only

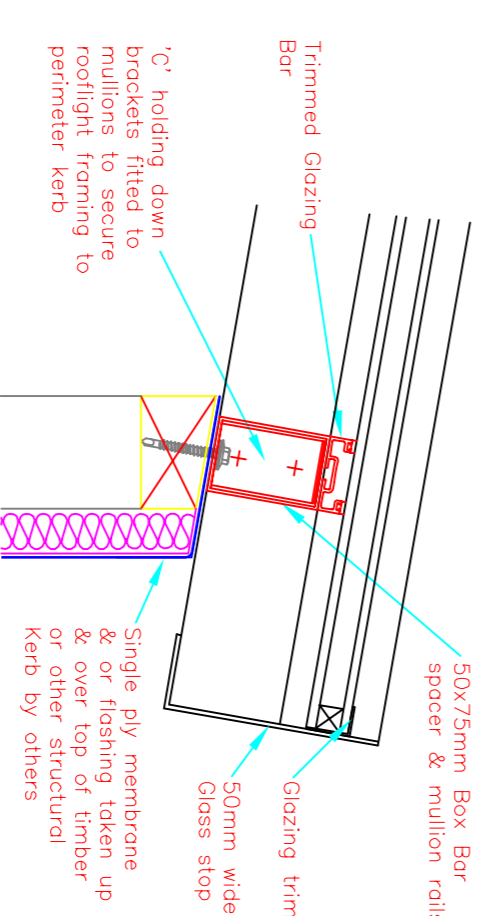


Section B-B
Scale 1:10

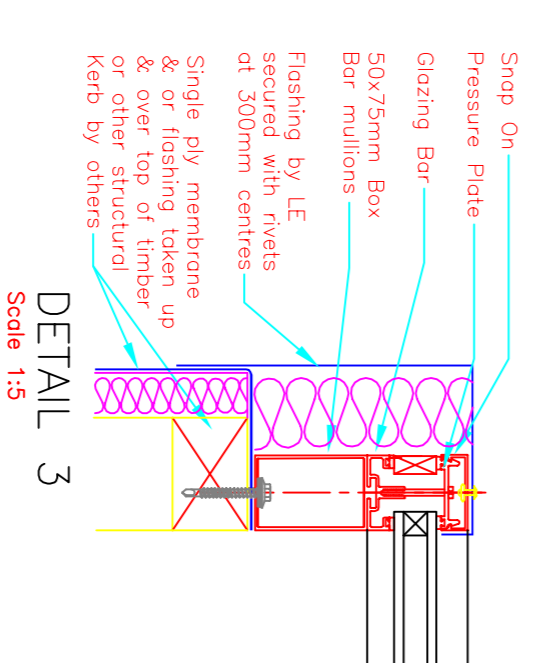
Note: perimeter kerb by others, to be fully weathered prior to rooflight installation (See details 1 to 3)



DETAIL 1
Scale 1:5

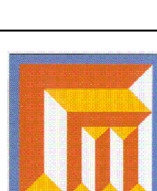


DETAIL 2
Scale 1:5



DETAIL 3
Scale 1:5

Rev	Revision note	Date	Signature/Checked
A	Drawing updated	30.07.2014	RWD



LAREINE ENGINEERING LTD.
UNIT 1, ARADALE INDUSTRIAL ESTATE
ARADALE, WEST LOTHIAN, EH46-2JF
Tel 01501 731 600 Fax 01501 733 638

Drawn	Date	Scale	Drawing number	Rev
AWA	-	As Shown	STD - 033	-