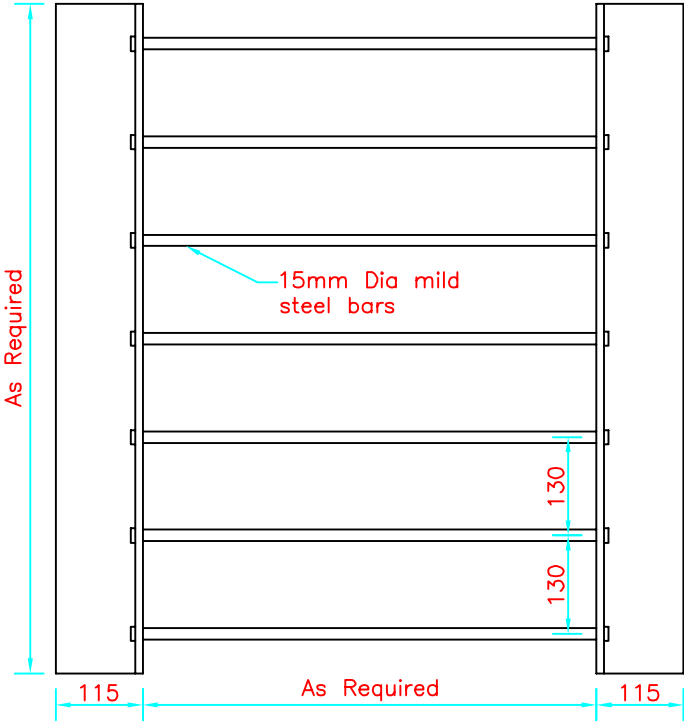
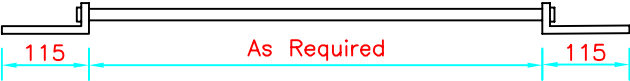


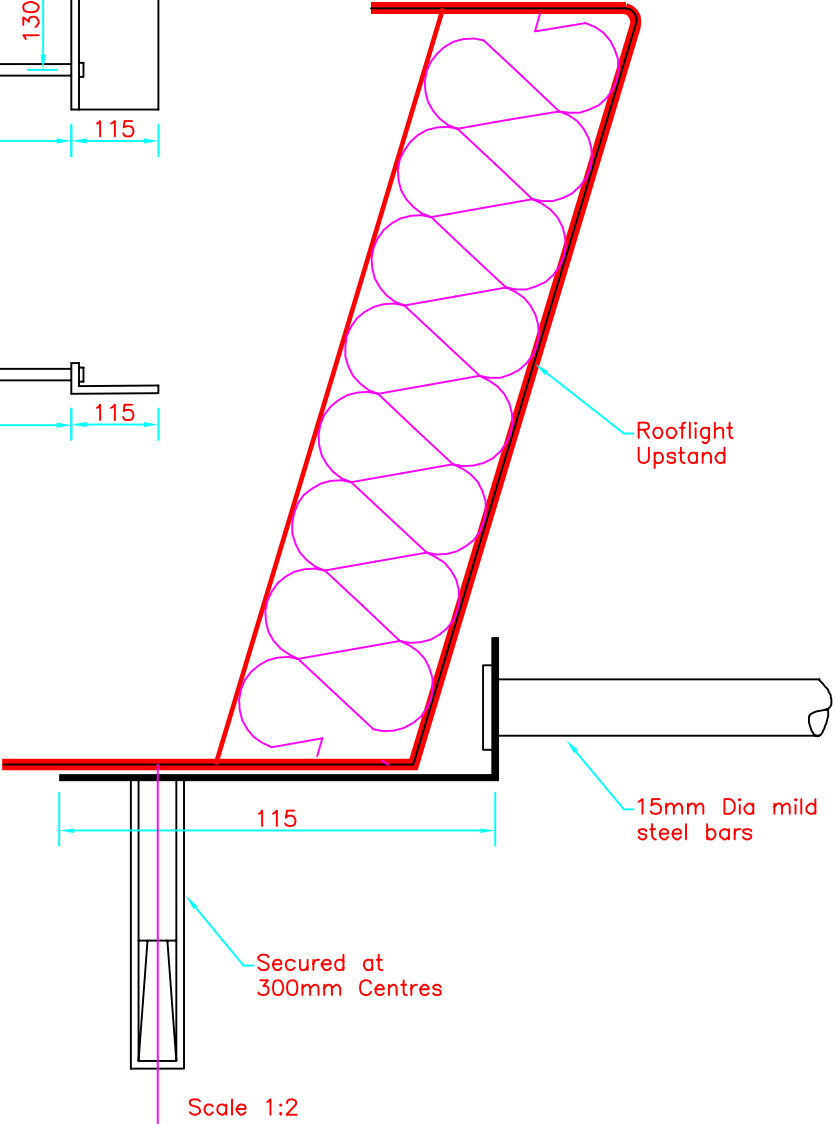
General Notes:  
 1. Do not scale this drawing.



Scale 1:10



Scale 1:10



Rev. A - Drawing updated 28.07.2014



**LAREINE ENGINEERING LTD.**  
 UNIT 1, ARMADALE INDUSTRIAL ESTATE.  
 ARMADALE EH48-2JY WEST LOTHIAN.  
 Tel 01501 731 600 Fax 01501 733 828

Title/Name Solus Security Base				
Drawn AWA	Date -	Scale A4 As Shown	Drawing number STD - 018	Rev A