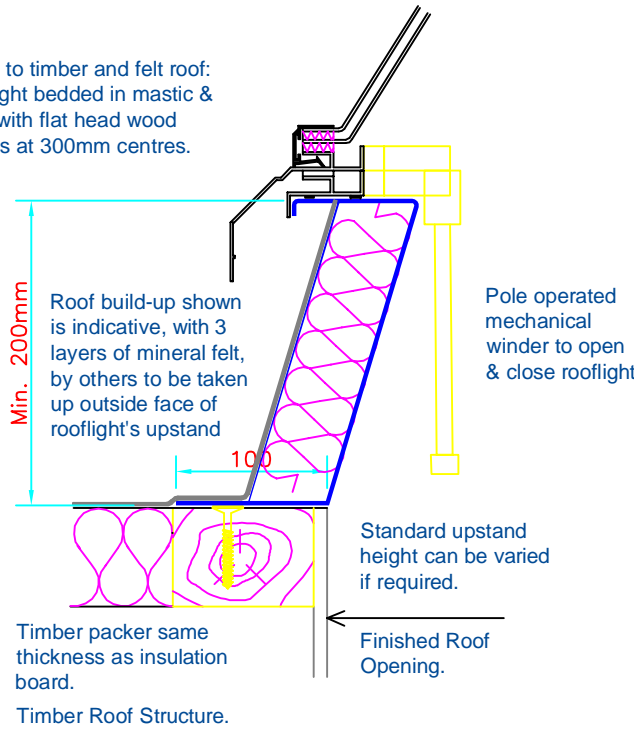


| | | | | |
|-----|-----------------|------------|-----------|---------|
| A | Drawing updated | 17.07.2014 | RWd | - |
| Rev | Revision note | Date | Signature | Checked |

Fixing to timber and felt roof:
Rooflight bedded in mastic & fixed with flat head wood screws at 300mm centres.

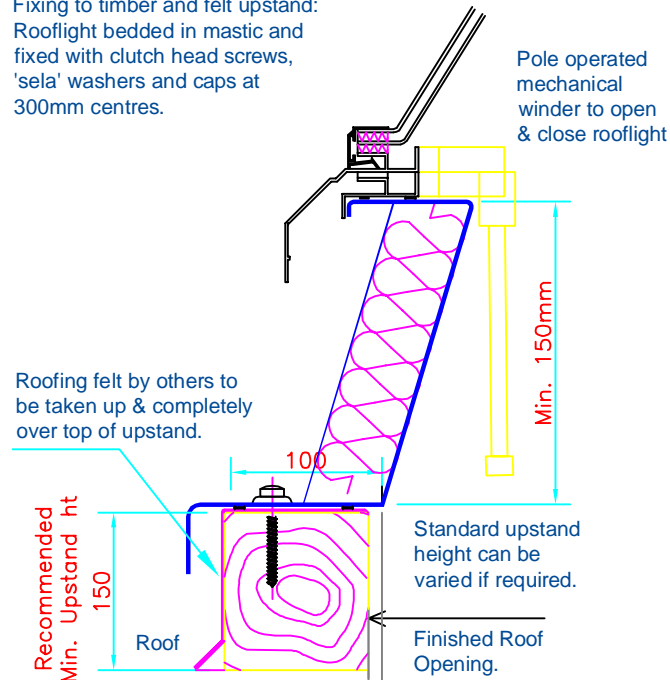


(For a 600x600 rooflight make finished hole size 600x600 etc.)

1. STANDARD UPSTAND

Scale 1:5

Fixing to timber and felt upstand:
Rooflight bedded in mastic and fixed with clutch head screws, 'sela' washers and caps at 300mm centres.



(For a 600x600 rooflight make finished hole size 600x600 etc.)

2. KERB ADAPTOR UPSTAND

Scale 1:5



LAREINE ENGINEERING LTD.

UNIT 1, ARMADALE INDUSTRIAL ESTATE.
ARMADALE EH48-2JY WEST LOTHIAN.
Tel 01501 731 800 Fax 01501 733 828

Title/Name

SOLUS HINGED VENTED ROOFLIGHT

Drawn

SY

Date

-

Scale

As Shown

Drawing number

STD - 017

Rev

A